



# TECHNICAL DATA SHEET

## StepliteS Cleangrip S4 white/blue ECO (bag)

### General information

Size range	
• EU	36 - 49
• UK	3.5 - 15
• US	4 - 16
The testresults in this technical datasheet are performed on size EU 42, UK 8, US 9	
Weight / pair	
• Safety level: Non-metallic toe cap	± 1 830 g
Colours	
	
white - blue	

### Upper

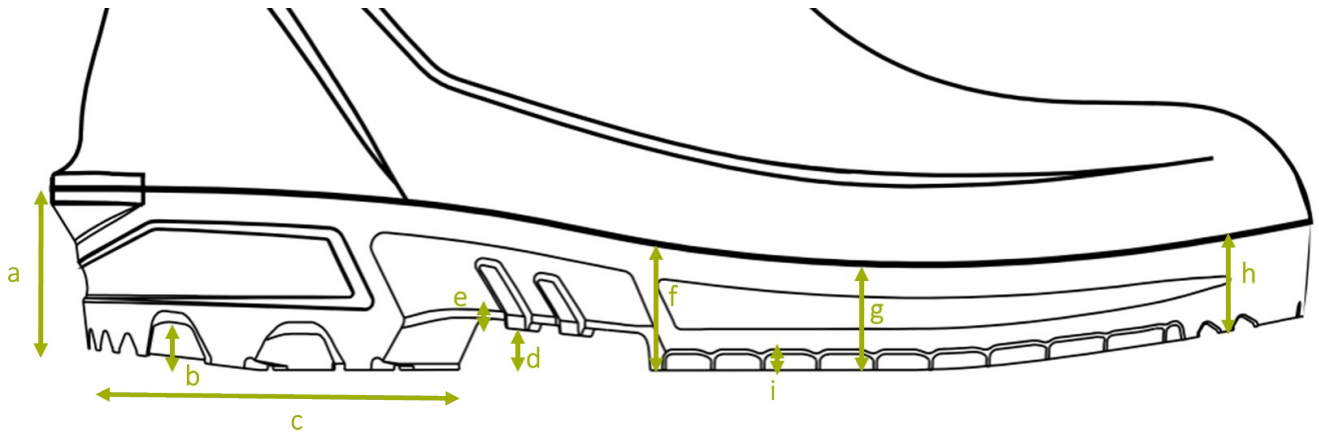
A. Dimensions	
• Height	outer measure: 39.7 - 40.8 cm
	cutting edge: 30.5 - 29.0 cm
• Foot length	outer measure: 29.4 cm
	inner measure: 28.0 cm
B. Thickness	
• Upper edge	3.8 - 4.0 mm
• Calf	3.7 - 4.2 mm
• Shinbone	2.8 - 3.2 mm
• Ankle	4.0 - 5.0 mm
• Heel	5.6 - 6.0 mm
C. Raw material	
	NEOTANE (proprietary polyurethane compound)
D. Density	
	0.62 - 0.74 g/mL

<b>E. Tensile strength</b>		
(incl. lining)	10 ± 2 N/mm <sup>2</sup>	
<b>F. Elongation</b>		
(incl. lining)	600 +/- 100%	
<b>G. Hardness</b>		
	43 +/- 2 Sh A	
<b>H. Tear strength</b>		
(incl. lining) N/mm	10.0 ± 2.0 N/mm	
<b>I. Aging</b>		
(incl. lining)	<b>7 days at 70 °C</b>	<b>14 days at 70 °C</b>
• Tensile strength	0.00 MPa	0.00 MPa
• Elongation	%	%
• Tear strength	0.00 N/mm	0.00 N/mm
<b>J. Chemical resistance</b>		
	<a href="#">see detailed list</a>	
<b>K. Environmental temperature</b>		
• Maximum	± 150 °C	
• Minimum	Cold insulation down to -30 °C	

## Lining

<b>A. Material</b>	
	PU coating on polyester fabric
<b>B. Seams</b>	
	Welded seams

## Outsole profile



### A. Dimensions

#### • Heel

• Thickness	(a)	40.0 mm
• Profile depth	(b)	10.0 mm
• Length	(c)	100.0 mm
• Width		75.0 mm

#### • Middle foot

• Height	(e)	10.0 mm
• Ladder anti-slip grips		2.0 mm

#### • Outsole

• Thickness	(f)	30.0 mm
	(g)	25.0 mm
	(h)	20.0 mm
• Profile depth	(i)	4.0 mm

### B. Raw material

NEOTANE (proprietary polyurethane compound)

### C. Density

0.56 - 0.78 g/mL

### D. Mechanical characteristics

See upper (E)-(F)-(H)

### E. Energy absorption of the seat region

J (requirement  $\geq 20$  J)

### F. Abrasion resistance

50 mm<sup>3</sup>

### G. Hardness


60 +/- 10 Sh A

<b>H. Footwear slip resistance</b>	
	SR
<b>I. Chemical resistance</b>	
	<a href="#">see detailed list</a>

## Safety

	Standard	Required	Type	Result
<b>Toe cap</b>				
Width of toe cap		outer measure: 40.0 mm		
Height of toe cap		outer measure: 90.0 mm		
Toe cap		Composite material such as fiberglass		

## Certificates

	EN ISO 20344:2022+A1:2024 EN ISO 20345:2022+A1:2024 2506816-02-86
--	--