




TECHNICAL DATA SHEET

StepliteS Cleangrip S4 white/blue (bag)

General information

Size range	
• EU	36 - 49
• UK	3.5 - 15
• US	4 - 16
The testresults in this technical datasheet are performed on size EU 42, UK 8, US 9	
Weight / pair	
• Safety level: Non-metallic toe cap	± 1 830 g
Colours	
	
white - blue	

Upper

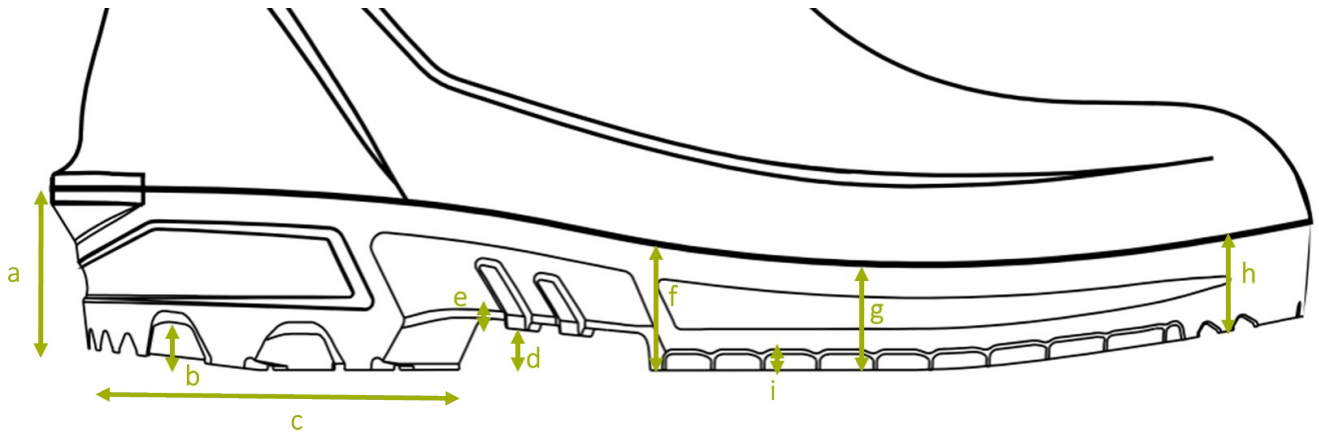
A. Dimensions	
• Height	outer measure: 39.7 - 40.8 cm
	cutting edge: 30.5 - 29.0 cm
• Foot length	outer measure: 29.4 cm
	inner measure: 28.0 cm
B. Thickness	
• Upper edge	3.8 - 4.0 mm
• Calf	3.7 - 4.2 mm
• Shinbone	2.8 - 3.2 mm
• Ankle	4.0 - 5.0 mm
• Heel	5.6 - 6.0 mm
C. Raw material	
	NEOTANE (proprietary polyurethane compound)
D. Density	
	0.62 - 0.74 g/mL

E. Tensile strength		
(incl. lining)	10 ± 2 N/mm ²	
F. Elongation		
(incl. lining)	600 +/- 100%	
G. Hardness		
	43 +/- 2 Sh A	
H. Tear strength		
(incl. lining) N/mm	10.0 ± 2.0 N/mm	
I. Aging		
(incl. lining)	7 days at 70 °C	14 days at 70 °C
• Tensile strength	0.00 MPa	0.00 MPa
• Elongation	%	%
• Tear strength	0.00 N/mm	0.00 N/mm
J. Chemical resistance		
	see detailed list	
K. Environmental temperature		
• Maximum	± 150 °C	
• Minimum	Cold insulation down to -30 °C	

Lining

A. Material	
	PU coating on polyester fabric
B. Seams	
	Welded seams

Outsole profile



A. Dimensions

• Heel

• Thickness	(a)	40.0 mm
• Profile depth	(b)	10.0 mm
• Length	(c)	100.0 mm
• Width		75.0 mm

• Middle foot

• Height	(e)	10.0 mm
• Ladder anti-slip grips		2.0 mm

• Outsole

• Thickness	(f)	30.0 mm
	(g)	25.0 mm
	(h)	20.0 mm
• Profile depth	(i)	4.0 mm

B. Raw material

NEOTANE (proprietary polyurethane compound)

C. Density

0.56 - 0.78 g/mL

D. Mechanical characteristics

See upper (E)-(F)-(H)

E. Energy absorption of the seat region

J (requirement ≥ 20 J)

F. Abrasion resistance

50 mm³

G. Hardness


60 +/- 10 Sh A

H. Footwear slip resistance	
	SR
I. Chemical resistance	
	see detailed list

Safety

	Standard	Required	Type	Result
Toe cap				
Width of toe cap		outer measure: 40.0 mm		
Height of toe cap		outer measure: 90.0 mm		
Toe cap		Composite material such as fiberglass		

Certificates

	EN ISO 20344:2022+A1:2024 EN ISO 20345:2022+A1:2024 2506816-02-86
--	--